

Modular Cooking Range Line EVO700 Two Wells Electric Fryer Top 5 liter

ITEM # _____

MODEL # _____

NAME # _____

SIS # _____

AIA # _____

**372074 (Z7FRED2A00)**

5+5-lt electric fryer top with 2 wells (internal heating elements), 2 baskets and lids included

372139 (Z7FRED2A0N)

5+5-lt electric fryer top with 2 wells (internal heating elements), 2 baskets and lids included

Short Form Specification

Item No. _____

To be installed on open base installations, bridging supports or cantilever systems. High efficiency tilting incoloy armoured heating elements (9kW) placed inside the wells. Deep drawn well. Oil drains through a tap on the front. Exterior panels in stainless steel with Scotch Brite finish. One piece pressed work top in 1.5 mm thick stainless steel. Right-angled side edges to allow flush-fitting junction between units.

Main Features

- Unit to be mounted on open base cupboards, bridging supports or cantilever systems.
- Thermostatic regulation of oil temperature up to a maximum of 185 °C.
- Overheat protection thermostat as standard on all units.
- Oil drains through a tap positioned on the front the wells.
- All major compartments located in front of unit for ease of maintenance.
- IPx4 water protection.
- Incoloy armoured heating elements located inside the well can be lifted up for easier cleaning.
- Optional portable oil quality monitoring tool (code 9B8081) for efficient oil management.
- Suitable for countertop installation.

Construction

- Interior of well with rounded corners for ease of cleaning.
- All exterior panels in Stainless Steel with Scotch Brite finishing.
- One piece pressed 1.5 mm work top in Stainless steel.
- Model has right-angled side edges to allow flush fitting joints between units, eliminating gaps and possible dirt traps.

APPROVAL: _____

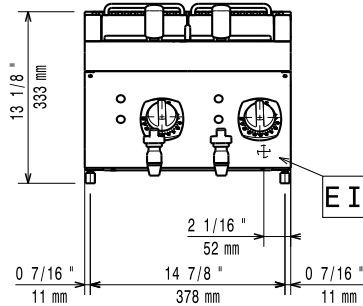
Included Accessories

- 1 of 2 baskets for 2x5/12lt electric fryers PNC 960638

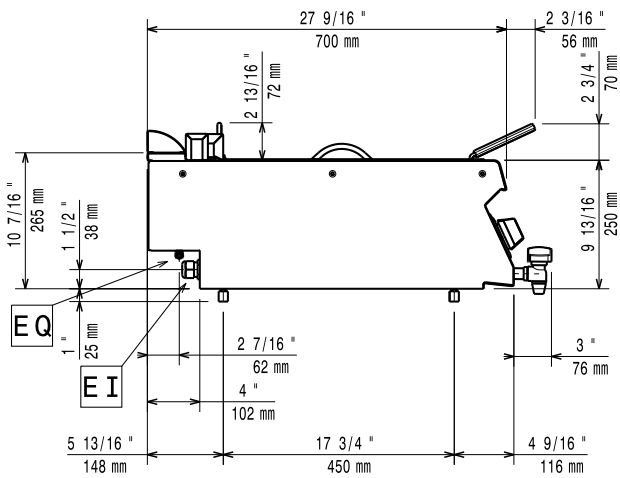
Optional Accessories

- Junction sealing kit PNC 206086
- Support for bridge type installation, 800 mm PNC 206137
- Support for bridge type installation, 1000 mm PNC 206138
- Support for bridge type installation, 1200 mm PNC 206139
- Support for bridge type installation, 1400 mm PNC 206140
- Support for bridge type installation, 1600 mm PNC 206141
- Support for bridge type installation, 400 mm PNC 206154
- Frontal handrail 400 mm PNC 206166
- Frontal handrail 800 mm PNC 206167
- Large handrail (portioning shelf) 400 mm PNC 206185
- Large handrail (portioning shelf) 800 mm PNC 206186
- Frontal handrail 1200 mm PNC 206191
- Frontal handrail 1600 mm PNC 206192
- Right and left side handrails PNC 206240
- Chimney upstand, 400 mm PNC 206303
- 2 side covering panels, height 250 mm, depth 700 mm PNC 206320
- Chimney grid net, 400mm PNC 206400

Front

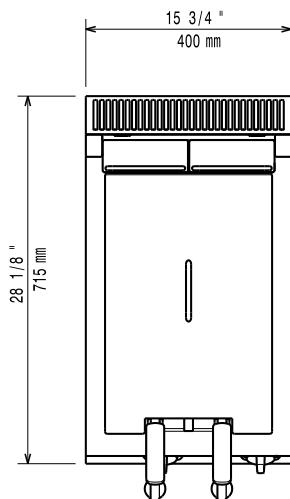


Side



EI = Electrical inlet (power)
EQ = Equipotential screw

Top



Electric

Supply voltage:

372074 (Z7FRED2A00) 380-400 V/3N ph/50/60 Hz
372139 (Z7FRED2A0N) 230 V/3 ph/50/60 Hz

Total Watts:

9 kW

Predisposed for:

372074 (Z7FRED2A00) 380-400V 3N~ 50/60Hz
8-9kW

Key Information:

Usable well dimensions (width): 110 mm
Usable well dimensions (height): 235 mm
Usable well dimensions (depth): 420 mm
Well capacity: 4 lt MIN; 5 lt MAX
Thermostat Range: 105 °C MIN; 185 °C MAX
Net weight: 20 kg
Shipping weight:
372074 (Z7FRED2A00) 33 kg
372139 (Z7FRED2A0N) 28 kg
Shipping height:
372074 (Z7FRED2A00) 520 mm
372139 (Z7FRED2A0N) 540 mm
Shipping width: 460 mm
Shipping depth: 820 mm
Shipping volume: 0.2 m³

If appliance is set up or next to or against temperature sensitive furniture or similar, a safety gap of approximately 150 mm should be maintained or some form of heat insulation fitted.

Certification group:

372074 (Z7FRED2A00) EF17205
372139 (Z7FRED2A0N) N7FE2